



ATOM



ATOM 60



SPECIALTY 65



SPECIALTY 75

LIBRETTO ISTRUZIONI **USER HANDBOOK**

Translation of the Original Instructions



(EN) PRECAUTIONS AND SAFETY FEATURES (EN)

Machine design has taken into account all reasonable user safety precautions; nevertheless, particular conditions of installation and/or handling may create unforeseen situations beyond the installer's control which will require case-by-case evaluation of residual risks.

We recommend keeping the following in mind:

- Always handle the machine with care to avoid the danger of its falling.
- The packing materials (carton, cellophane, staples, polystyrene, etc.) can cut, wound or create hazards if used improperly or handled carelessly. Store such materials out of reach of children and irresponsible persons.



- This symbol on the appliance or package means that the appliance must not be considered as normal household refuse but that it must instead be delivered to an appropriate collection centre for the recycling of electric and electronic appliances. Make sure that this appliance is disposed of correctly and you too will be making your contribution to the prevention of negative effects on health and the environment, which could otherwise be caused by inadequate disposal. Recycling materials helps to preserve our natural resources. For more information about how to recycle this product, you can contact your local council office, local refuse disposal service or the retailer from whom you purchased the appliance.
- Before carrying out any installation or adjustment process, be sure to have read and thoroughly understood the warnings in this manual.
- The company cannot be held liable for any damage to people or property resulting from failure to respect the instructions concerning safety, installation and maintenance contained in this manual.
- The power cord of this appliance must never be replaced by the user. In case of damage, switch the appliance off and contact only the manufacturer or related after-sales service, otherwise a skilled personnel for replacement.
- Should you decide to no longer use this type of appliance, we recommend that you make it inoperative: unplug the appliance from the mains socket and cut off the power cord.
- All defects and/or anomalous machine behaviour should be reported immediately to authorized installation and/or maintenance personnel.
- Before connecting the machine, check that electrical power supply corresponds to the specifications on the data plate.
- In case of incompatibility between the plug and the socket, have the plug replaced with a suitable type by the manufacturer, his after-sales service, or by skilled personnel, who should also check that the section of the plug wires is suitable for the power absorbed by the appliance.
- Avoid use of multiple-plug adapters and extension cords.
- The ground wire must be connected; the electrical system must meet the standards set by local safety laws and regulations.
- The machine must be installed only by authorized, qualified personnel.
- Check that the machine components have suffered no damage during shipping; in the case defects or anomalies are found, interrupt installation and request replacement.

APPLICATIONS AND USE

- This grinder dispenser has been devised for professional use by trained personnel.
- The grinder/dispenser must be used only for the application for which it was designed; that is, grinding roasted coffee beans. Any other use must be considered improper and therefore dangerous.
- The manufacturer shall not be held responsible for damages deriving from improper, erroneous or unreasonable use of the machine.
- The appliance must not be used by children or people with reduced, physical, sensorial or mental abilities. It must also never be used by peo-



ple without the necessary skills and experience unless under supervision or during training.

Do not allow children to play with this equipment at any time.

- The machine is not designed for use in extreme environmental conditions and in any case at temperatures outside the -5°C to $+30^{\circ}\text{C}$ range.
- The user must respect the general safety regulations in force in the country in which the machine is installed as well as the rules of common sense, and shall be responsible for ensuring that periodic machine maintenance is correctly performed.
- The persons installing and using the machine and performing machine maintenance shall inform the manufacturer of any defects or damages due to wear that might jeopardize the original safety features of the machine.
- The installer shall be responsible for checking that the machine is installed in tolerable environmental conditions such as to not to create health or safety hazards for those using the machine.
- Any responsibility deriving from components manufactured and installed on the machine shall be assumed by the respective manufacturers; responsibility attributable to the persons authorized to use the machine shall be assumed by the customer.
- The device can be used 24 hours a 24 with intermittent service as listed on the nameplate values Ton and Toff. The machine components are designed and built to ensure at least 1000 hours' operation.
- Good cleaning and maintenance also contribute to determining long machine life.

BASIC SAFETY PRECAUTIONS

- Never touch the machine with damp or wet hands.
- Never use the machine when barefoot.
- Never attempt to unplug the machine by pulling the power cord or the machine itself.
- Do not expose the machine to atmospheric agents (sun rain, etc..).
- Never allow the machine to be used by children or by irresponsible persons.
- Always use the appliance on a flat, steady surface that is able to support its weight.
- Always unplug the machine from the power supply before performing any cleaning or maintenance operations.
- Do not use water jets or detergents for cleaning the appliance.
- In the case of machine breakdown or malfunction switch the machine off and do not tamper with it.
- For repairs contact only an authorized service center and request use of original spare parts.
- Non-observance of the above precautions may make the machine unsafe for future use.
- Do not leave the machine switched on when not in use. Unplug the machine when not in use.
- Do not obstruct the ventilation and/or heat dissipation openings and/or slits nor introduce water or any other liquids into same.

- Should the wire be damaged, have it immediately repaired by the manufacturer, his authorized after-sales service, or skilled personnel.
- Never insert spoons, forks or other utensils into the coffee bean container **(8) (see Fig. 1)** to make withdrawals or interventions.
- Always switch off the appliance before removing blockages from the coffee bean container.
- Never place the appliance in water or other liquids.
- Should a foreign body stop the motor, switch the machine off immediately and contact an authorized service center.

 **WARNING**

Those machines bearing the "EL. MOTOR WITH THERMAL PROTECTION" indication are equipped with device which protects the motor from overheating.

When this device is engaged, do not attempt to operate the machine: isolate the machine from the power supply and eliminate the cause of the trouble before re-starting.



DICHIARAZIONE DI CONFORMITÀ CE
EC DECLARATION OF CONFORMITY



CONTI VALERIO S.r.l.

Via Luigi Longo 39/41 – 50019 Sesto Fiorentino (FI) - ITALY

Dichiariamo sotto la nostra responsabilità, che il prodotto
Declare under our responsibility, that the product:

MACINADOSATORE PER CAFFÈ MODELLI:

COFFEE GRINDER MODELS:

ATOM 60

ATOM SPECIALTY 65

ATOM SPECIALTY 75

VERSIONE / VERSION : 200 - 240 V / 50 Hz
EQUIPAGGIATE CON DOSATORE MECCANICO O ELETTRONICO

MATRICOLA DAL / SERIAL Nr. FROM : 0001-18

Al quale si riferisce questa dichiarazione, è costruito in conformità alle direttive:
To which this declaration relates, following the provisions of the directives:

2014/30/EU – 2014/35/EU – 2011/65/EU – 2012/19/EU

Ed è conforme alle direttive:
following the provisions of the directives:

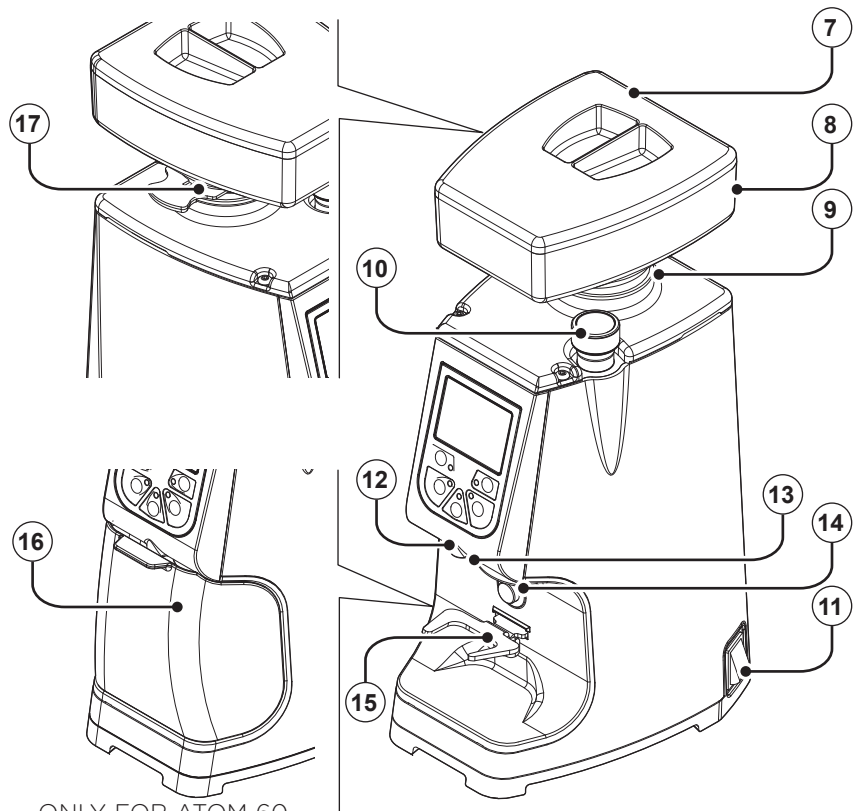
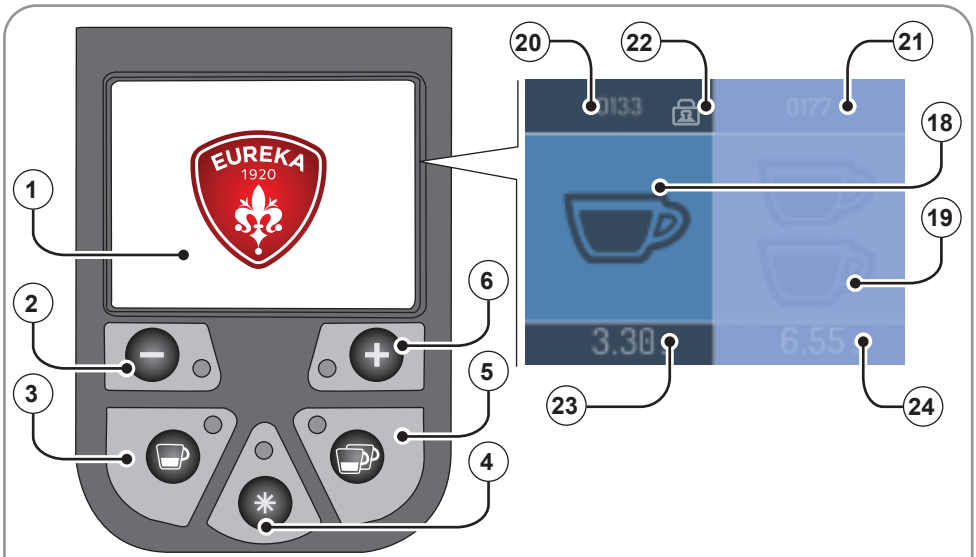
UNI EN 12100/1-2; UNI EN ISO 13857; CEI EN 55014-1/2; CEI EN 61000-3-2/3;
CEI EN 60335-1; CEI EN 60335-2-64; CEI EN 62233; EN 60704-1:1994;

autorizziamo la seguente persona a costituire il fascicolo tecnico:
we authorize the following person to compile the technical file:

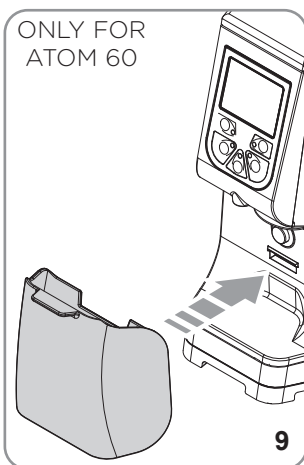
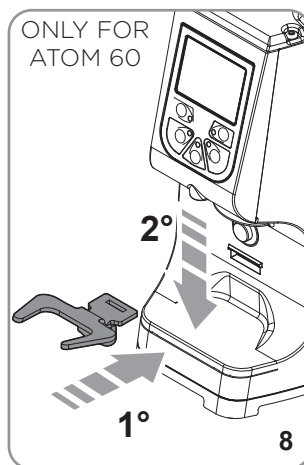
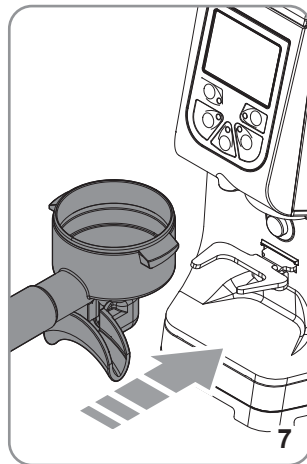
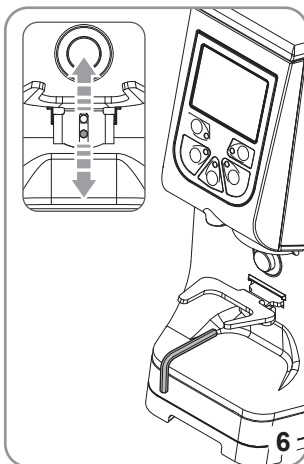
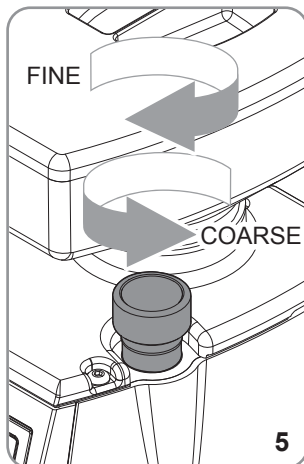
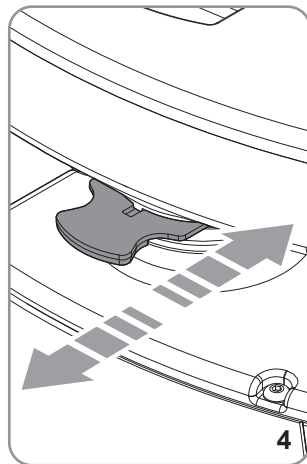
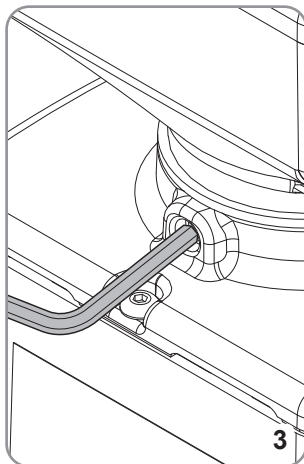
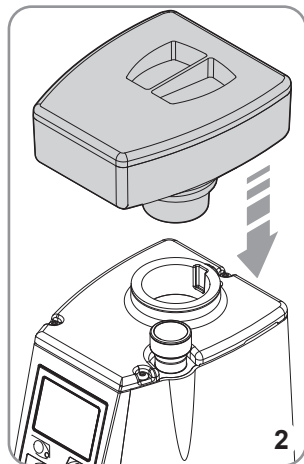
Sig. Filippo Conti – Via Luigi Longo 39/41 – 50019 Sesto Fiorentino (FI) - ITALY

Data / Date: Marzo 2018 / March 2018

Il legale rappresentante:
The Legal Representative:
Filippo Conti



ONLY FOR ATOM 60



1. GENERAL INFORMATION

MANUFACTURER:

CONTI VALERIO - Via Luigi Longo 39/41 - Sesto Fiorentino, Firenze - Italy

COFFEE GRINDER MODEL:

ATOM 60 - ATOM SPECIALTY 65 - ATOM SPECIALTY 75

2. TECHNICAL DATA

DESCRIPTION	ATOM 60			ATOM SPECIALTY 65			ATOM SPECIALTY 75		
	220/240	220	110/120	220/240	220	110/120	220/240	220	110/120
Voltage (V)	220/240	220	110/120	220/240	220	110/120	220/240	220	110/120
Frequency (Hz)	50	60	60	50	60	60	50	60	60
Power consumption (W)	400		/	350		/	900		/
Current (A)	/		4.1	/		3.9	/		10.0
Motor power (W) *	245			245			250		
RPM *	1300				1650		1400	1700	
Hopper capacity (g)	500			1200			1400		
Productivity (g/s)	2,5 - 3,5			2,7 / 3,7			4,5 / 5,5		
Empty weight (kg)	8,5			9,5			9,5		
Height (mm)	440			540			570		
Width (mm)	181			180			180		
Depth (mm)	227			227			227		

(*) The value given is for the actual revolutions of the burrs.

ATOM 60

- Ton: 120 sec.
- Toff: 900 sec.

ATOM SPECIALTY 65/75

- Ton: 60 sec.
- Toff: 900 sec.

3. IMPORTANT INFORMATION

This manual is designed for use by the user of the machine and/or by those performing maintenance on the machine and must be considered an integral part of the machine itself. This manual provides information concerning correct use and appropriate maintenance of the machine, as well as useful indications for ensuring user safety. This manual must be preserved for the entire working life of the machine and must be transferred, together with the machine, to future users or owners. The information contained in this manual must not be construed as substituting the safety prescriptions and the technical data regarding installation and operation carried on the machine itself and on the packing materials. This manual reflects the current state of machine technology and shall not be considered obsolete solely because updated at a later date on the basis of acquired experience. The manufacturer reserves the right to make modifications to this manual with no obligation to update previous versions except in exceptional cases. Improper use of the machine or use in manners other than those described in this manual shall invalidate the guarantee conditions and shall release the manufacturer from all responsibility, the machine must be used only by adult, responsible persons. This manual must be preserved with care: the manufacturer declines all responsibility for damages to persons or things or to the machine itself deriving from improper use or use in manners other than those described herein or in the case the maintenance and safety precautions described herein are not respected.

3.1 PRESERVATION OF THE MANUAL

This manual must at all times be available to the machine user and/or the persons performing maintenance on the machine, who must be provided with full information regarding correct machine use and residual risks.

This manual must be preserved in a clean, dry place away from sources of heat. This manual must be used in a manner such as not to damage any part of its contents.

Do not remove, tear out or re-write any part of this manual for any reason. In case of loss of this manual or for further information, please contact your area retailer or the manufacturer.

4. APPLIANCE DESCRIPTION (see Fig. 1)

- | | |
|----------------------------|--|
| 1 LCD Display | 10 Grinding adjusting knob |
| 2 Decreasing key | 11 Power Switch with LED |
| 3 Single dose key with LED | 12 LED lighting holder |
| 4 Manual Mode key | 13 Dispensing spout |
| 5 Double dose key with LED | 14 Grinding start key |
| 6 Increasing key | 15 Fork filter holder |
| 7 Container cover | 16 Filter coffee tray (for ATOM 60 only) |
| 8 Coffee bean container | 17 Coffee bean container for opening/closing tab |
| 9 Container locking screw | |

5. LOCKING THE CONTAINER

Before operating the appliance, it is necessary to fit the coffee bean container (8).

- Insert the container (8) into its seat (see Fig. 2), positioning it so that the hole lines up with the screw (9) on the back part of the appliance.
- Tighten the lock screw (9) (see Fig. 3).

6. INSTRUCTIONS FOR USE



6.1 INTRODUCTION

This appliance can make very precise doses as it refers to grinding time.

It is furthermore necessary to set up the appliance before operating, by determining first of all the coffee blend type (more roasted or less) and the degree of grinding. Grinding time is then set for each dose key by weighting the grinding product.



- After having plugged the appliance in, pull the tab (17) at the bottom of the coffee bean container (8) to close it (see Fig. 4).
- Remove the cover (7) from the container (8) and fill it with coffee beans.
- Turn the switch (11) to the ON position (the led on the button).
- Push the tab (17) permitting passage of coffee beans.

6.2 FUNCTIONING WITH FILTER HOLDER

Insert the fork (15) into the slot (see Fig. 8) and fasten it in its holder. Preselect the single or double dose using the buttons (3)  or (5) . Insert the filter holder on the fork (15) to press the (14) button to start dispensing from the nozzle (13). Dispensing stops once the preset time has elapsed.

6.3 FUNCTIONING WITH TANK (for ATOM 60 only)

Insert the tank (16) below the dispensing spout (13 - Fig. 9).

Press the button (4)  to pass at the "Manual Mode" mode and press it again to start dispensing. The dispensing always end by pressing the button (4) . As an alternative, keep the key (14) pressed to grind. Release the key (14) to stop dispensing.

6.4 GRINDING SETTING (Fig. 5)

Set grinding by means of the adjusting knob (10), by rotating it clockwise to make powder finer (Espresso coffee) or anticlockwise to increase the size of its grain (Filter coffee) as shown on the knob. Setting is stepless; it is to be gradually performed, by grinding some coffee every two notches maximum.



ATTENTION

If the knob is turned by more than 3 notches with the engine stopped, the machine can get stuck and / or damaged.

After adjusting the grind with the knob (10), deliver 2-3 doses to make effective the new grinding.

6.5 FILTER HOLDER FORK HEIGHT ADJUSTMENT (Fig. 6)

- By using a Allen key, loosen the fastening screw of the filter holder fork (15). It is recommended not to unscrew the screw completely.
- Raise or lower the fork in order to adjust it according to filter holder dimensions.
- Once having reached the correct position, tighten the fork fastening screw (15).
- The appliance is equipped with a filter holder retaining device.



The fork (15) is designed to support all types of filter holder (from 2,5 to 5 cm). The ATOM 60 version allows to remove the fork so that, according to the type of filter holder, the fork height (15) can be modified by inserting it onto its support on the opposite side.

6.6 APPLIANCE SETTING

Display indicator legend (see Fig. 1)

- | | | | |
|----|---|----|---|
| 18 | Dispensing visualization of 1 coffee dose | 22 | Padlock (locked programming) |
| 19 | Dispensing visualization of 2 coffee dose | 23 | Dispensing time of preset 1 coffee dose |
| 20 | Counter of dispensed 1 coffee dose | 24 | Dispensing time of preset 2 coffee dose |
| 21 | Counter of dispensed 2 coffee doses | | |

6.6.1 APPLIANCE SWITCH-ON







When switching the appliance on for the first time, it is configured in the mode set by the factory and anyway, in the following uses, it will maintain the last mode previous to switch off.

When switching the appliance on, the following screen is shown for some seconds.



Then the display shows the working screen.

6.6.2 DOSE DISPENSING AND SETTING (DISPLAY)


- Select a dose by pressing (3) , which will light up. Press the grinding start key (14) to dispense coffee and activate the timer up to zero; the cup (18) on the display fills during dispensing.
- Once dispensing is completed, the time returns to set value for a new grinding.
- The single dose counter is increased of 1.
- Select the two doses by pressing (5) , which will light up. Press the grinding start key (14) to dispense coffee and activate the timer up to zero; the cup (19) on the display fills during dispensing.
- Once dispensing is completed, the time returns to set value for a new grinding.
- The double dose counter is increased of 1.
- By pressing the increasing key (6)  and decreasing one (2)  the dispensing time of the properly selected dose is increased or decreased.

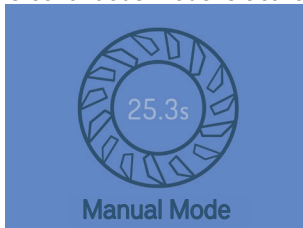


The automatic dispensing can be stopped before the grinding time has elapsed. During dispensing, press the grinding start key (14) with the filter holder to stop dispensing:

- Press the new grinding start key (14) again to restart dispensing for the remaining time;
- Press the key of the selected dose (flashing) to stop dispensing. The grinding time returns to the value set.


6.6.3 "MANUAL MODE" DISPENSING MODE ACTIVATION

By pressing the keys (4)  the continuous mode is activated.



To start dispensing:

- Press the key (4)  to start dispensing and press it again to stop dispensing.




 **With the tank (16) inserted, the (14) button is not pressed.**

Delivering through (4) button. .

- Insert the filter holder until press the button (14); remove the filter holder to release the button (14) to stop dispensing.


By pressing the buttons (3)  or (5)  the appliance returns to the relative dispensing mode.

6.6.4 FUNCTION BLOCK


By pressing both keys (6)  and (2)  the time dispensing setting is locked. On the display appear the icon (22) .

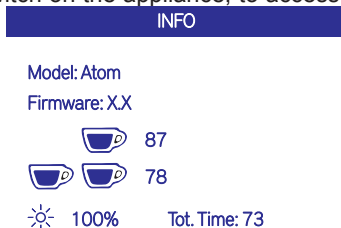
Press again both keys (6)  and (2)  to unlock the appliance functions.



6.6.5 PARTIAL DOSE COUNTER ZEROING


From the dispensing programmed doses screen, long press the (4)  button to reset partial counters of doses delivered. The total counter is not reset. To display the total counter, enter the screen of concealed contents.

6.6.6 APPLIANCE SWITCH ON WITH CONCEALED CONTENTS

Press the key (4)  and switch on the appliance, to access the following screen:



- Appliance model
- Firmware version.
- 1 and 2 dose total counter (cannot be reset).
- Counter total of continuous grind time.
- Display brightness, adjustable with the keys (6)  and (2) .

Press the key (3)  or (5)  to return to the dispensing dose screen.

7. CLEANING AND MAINTENANCE



ATTENTION

Unplug the appliance before performing any cleaning and maintenance operation.



ATTENTION

Do not pull the power cable or the appliance itself to disconnect the plug from the power supply socket.

7.1 CLEANING

Cleanliness is a basic aspect for the proper functioning of the coffee grinder with a dosing unit. A neglected coffee grinder with dosing unit may have a negative impact on coffee dispensing as well as on the accuracy of dose and grinding. Before cleaning, make sure the appliance is unplugged. At least once a week, clean the coffee bean container (8), removing the oily coat left by coffee beans by means of a clean cloth.

It is furthermore necessary to often clean (several times a day) the dispensing spout (13) through a brush and a vacuum cleaner.

In case such operations are not carried out, the aromatic oily part contained in coffee may turn rancid with negative consequences on coffee, furthermore the lack of cleanliness may jeopardize regularity of the dose itself.

Clean the base by means of a damp cloth.

7.2 MAINTENANCE



ATTENTION

Maintenance is to be performed only by skilled personnel authorized by the manufacturer.



ATTENTION

Do not carry out improvised or precarious repairing and do not use non original spare parts.

In order to ensure a proper functioning of the appliance, check and eventually replace the blades every 350 Kg of ground coffee for flat blades.

8. TROUBLESHOOTING

Contact skilled personnel.



CONTI VALERIO S.R.L.

Via Luigi Longo 39/41 - 50019 SESTO FIORENTINO (FIRENZE) Italia

